

NW NEWAY

API 6A

Mud Valves

Complete Solutions for Industrial Valves



NEWAY VALVE

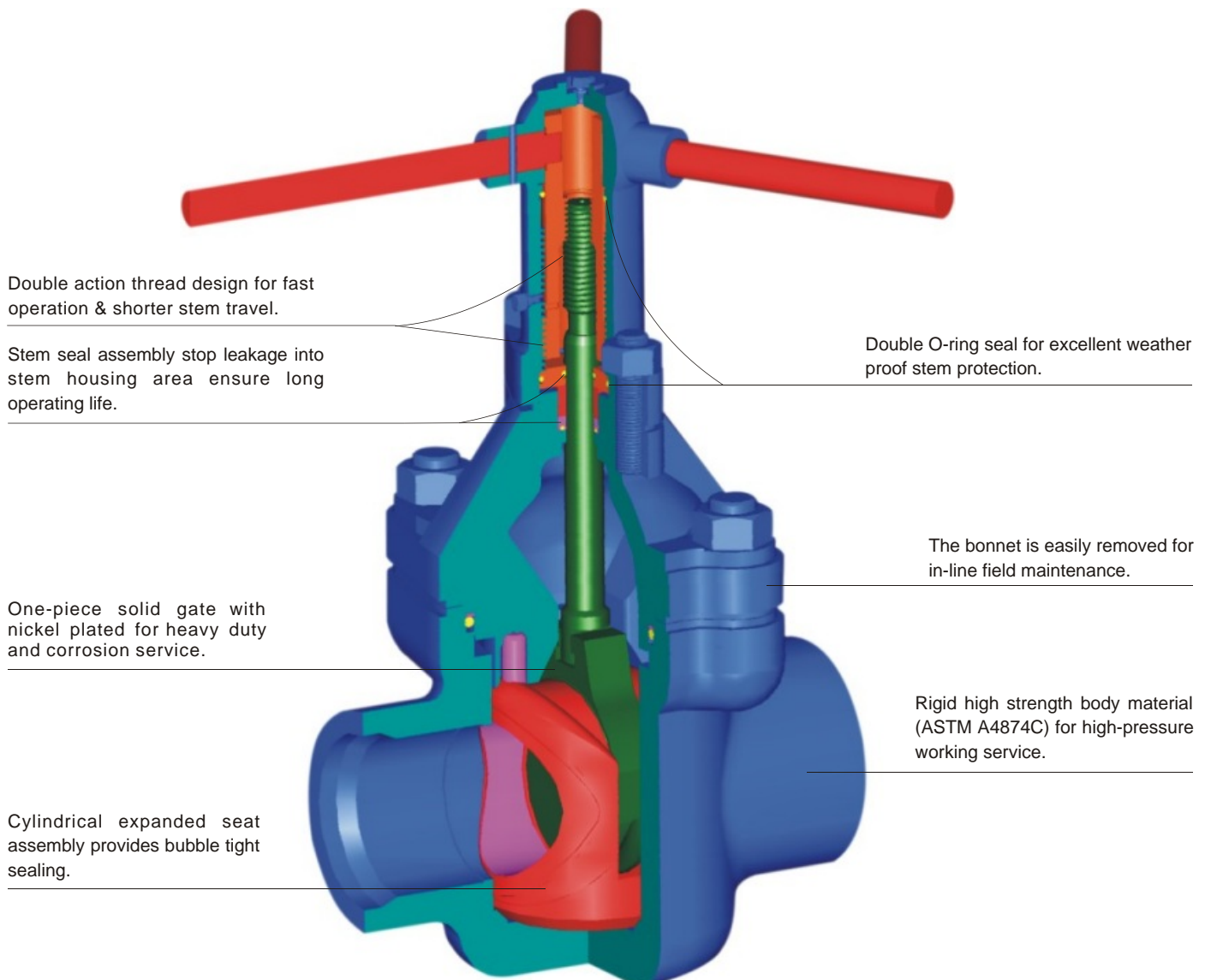
Cat.no.:E-MV-2004

How to Order

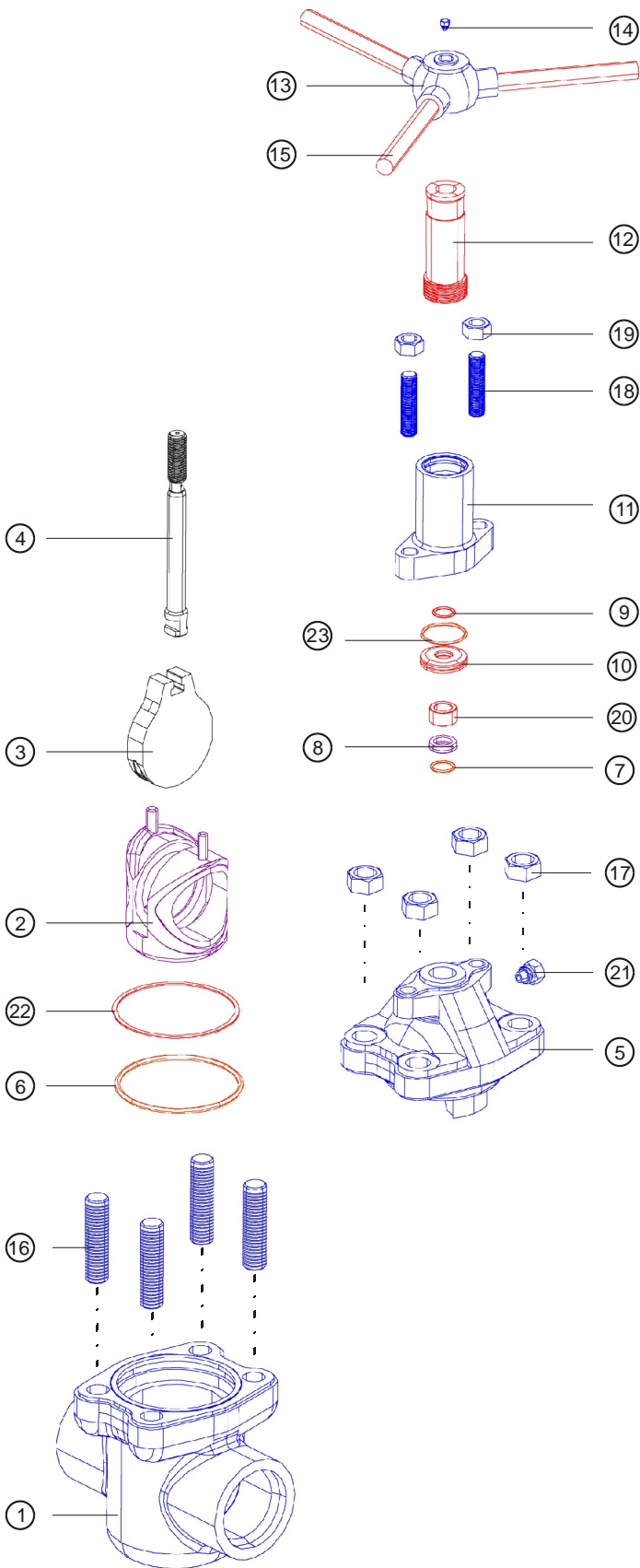
Figure Numbers

4-1/16 ①	GA ②	PSI30 ③	NB ④	4C ⑤	NO.362 ⑥
Valve Size 2-1/16 2-9/16 3-1/8 4-1/16	Valve Type Mud Gate Valve	Pressure Rating 20 = 2000psi 30 = 3000psi 50 = 5000psi	End Connection NB = Screwed RF = Raise face flanged	Body Material 4C = ASTM A487 Gr.4C 4N = ASTM A487 Gr.4N 2Q = ASTM A487 Gr.2Q	Trim Code <u>Stem:</u> 1 = Monel 2 = AISI4140 3 = ASTM A182 F316 <u>Gate:</u> 4 = ASTM A564 630 5 = AISI1045 6 = AISI4140 <u>Seat:</u> 1 = NBR/ASTM A182 F316 2 = NBR/AISI 4140 3 = NBR/ASTM A395

Design Features

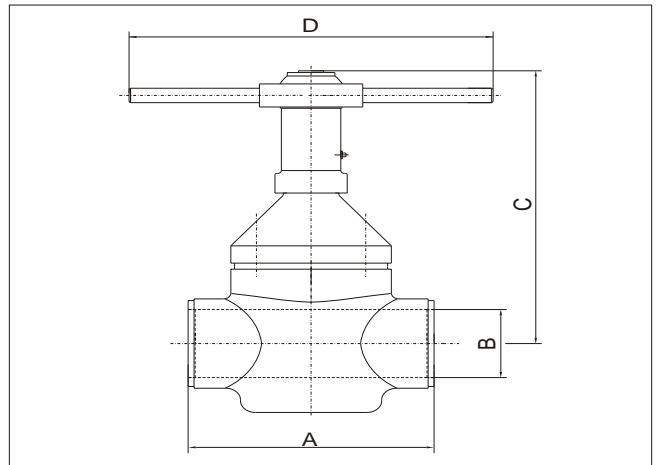


Parts Details



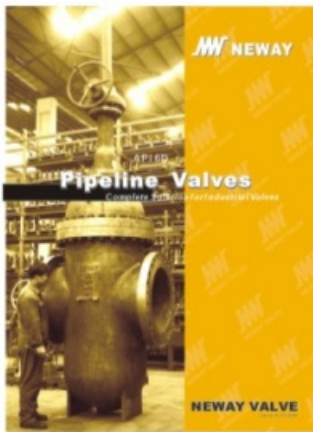
Material Specification

No.	Part Name	Material
1	Body	ASTMA487-4C
2	Seat	AISI 4140+NBR
3	Gate	AISI 4140+ENP
4	Stem	Monel
5	Bonnet	ASTMA487-4C
6	O-Ring	Viton
7	O-Ring	NBR
8	Packing	NBR
9	O-Ring	NBR
10	Gland Flange	ASTMA182-F316
11	Screw Housing	ASTMA487-4C
12	Stem Nut	NBR
13	Handle Head	Carbon Steel
14	Nipple	Carbon Steel
15	Handle	Carbon Steel
16	Stud	ASTMA193-B7M
17	Nut	ASTMA194-2H
18	Stud	ASTMA193-B7M
19	Nut	ASTMA194-2H
20	Gland	Stainless Steel
21	Injection Fitting	Stainless Steel
22	Retaining Ring	PTFE
23	O-Ring	NBR

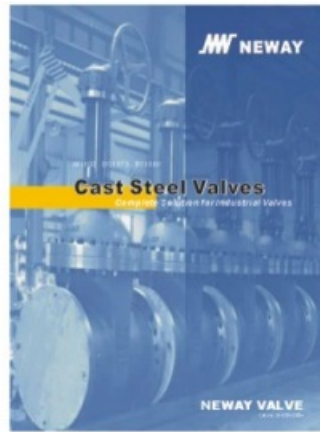


Dimensions

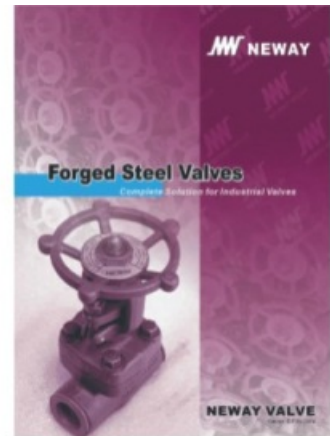
Size Inch	Class	A mm	B mm	C mm	D mm
2-1/16	5000PSI	229	52.4	330	178
	3000PSI	229	52.4	330	178
	2000PSI	229	52.4	330	178
2-9/16	5000PSI	229	52.4	330	178
	3000PSI	248	65	432	242
	2000PSI	248	65	432	242
3-1/8	5000PSI	279	79	457	242
	3000PSI	279	79	457	242
	2000PSI	279	79	457	242
4-1/16	5000PSI	331	103	625	292
	3000PSI	331	103	473	291
	2000PSI	331	103	540	292



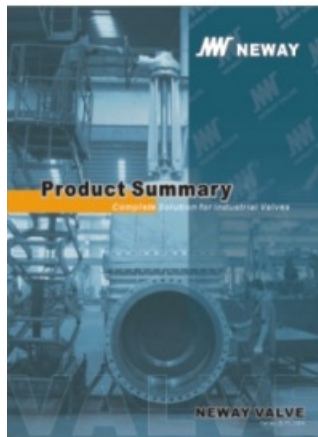
Cat.no.:E-PV



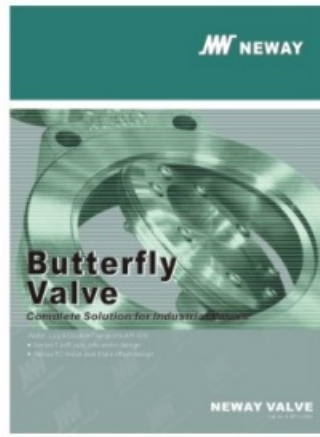
Cat.no.:E-CSV



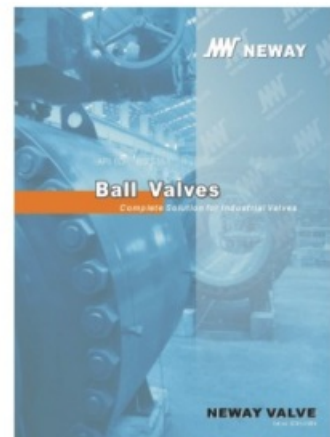
Cat.no.:E-FSV



Cat.no.:E-PS



Cat.no.:E-BFV



Cat.no.:E-BV

JW NEWAY

NEWAY VALVE (SUZHOU) CO.,LTD

NO.158 -120 Huashan Road, New District,
 Suzhou, 215129 China
 Tel: 86-512-66651365
 Fax: 86-512-66651360
 E-mail: neway@neway.com.cn
<http://www.newayvalve.com>

U.S. Operation

NEWAY VALVE (HOUSTON) INC.

2523 Fairway Park Dr. Suite 500
 Houston TX 77092
 Tel: 1-713-957-4120
 Fax: 1-713-957-4173
 E-mail: info@newayvalve.com

Distributed by :

