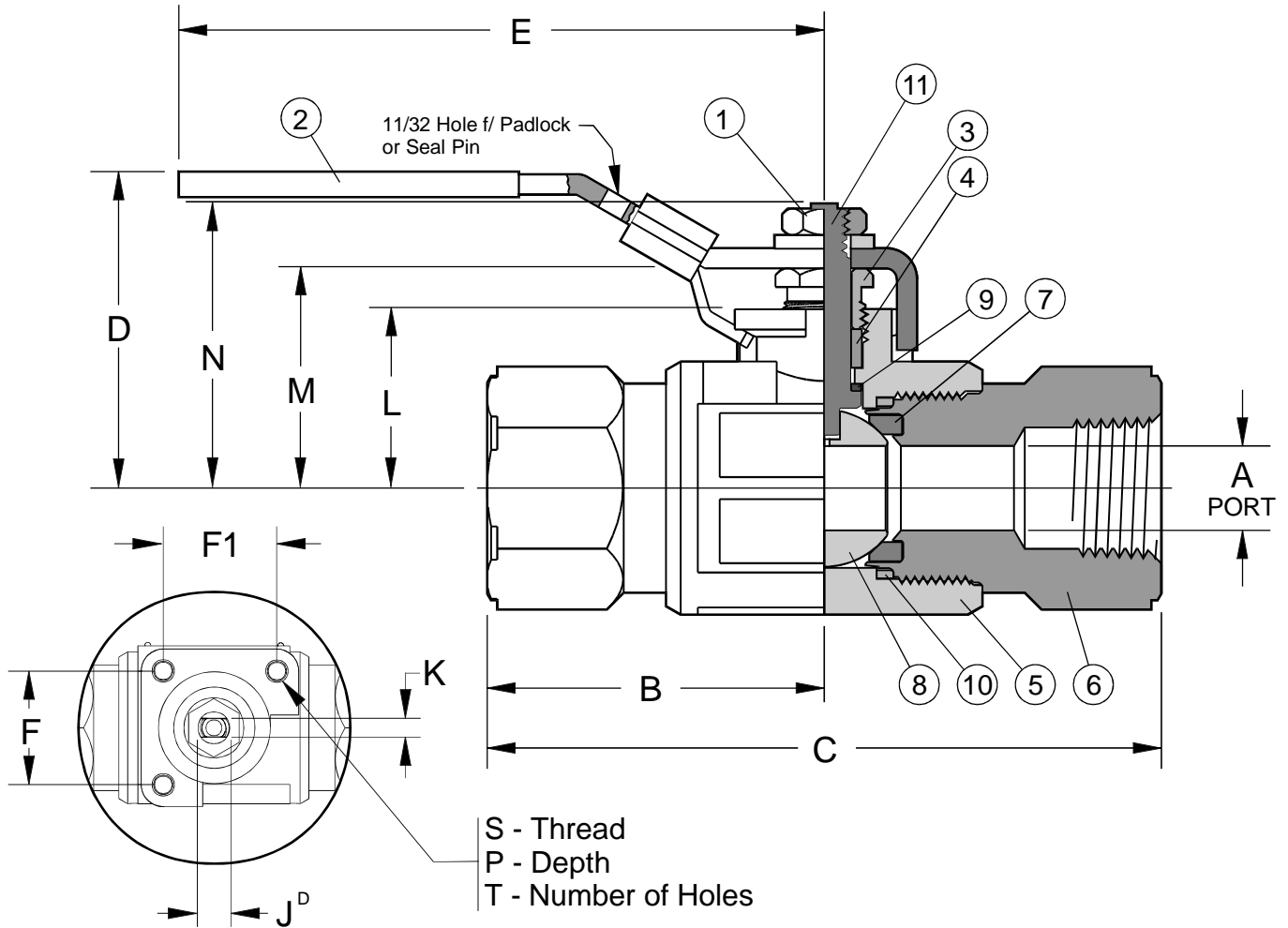




SERIES 7300 / 8300
1/4" through 2-1/2"
THREADED END
ROUGHNECK HIGH PRESSURE
and PIPELINE BALL VALVES



PANEL / ACTUATOR MOUNTING
F - 1/4" - 3/4": 10-24 UNC Threads, 2 Holes
F1 - 1" - 2": 1/4-20 UNC Threads, 3 Holes

C-7350 / S-8350 Reduced Port Models

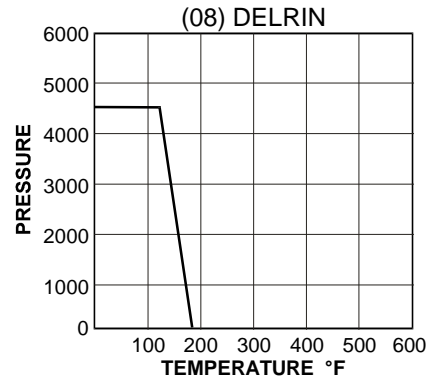
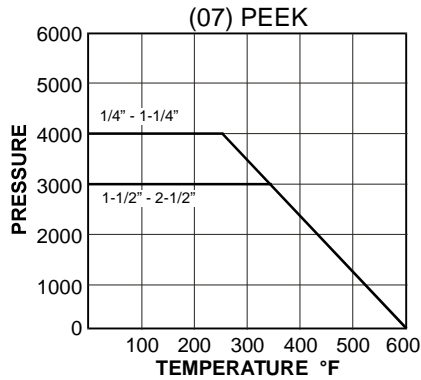
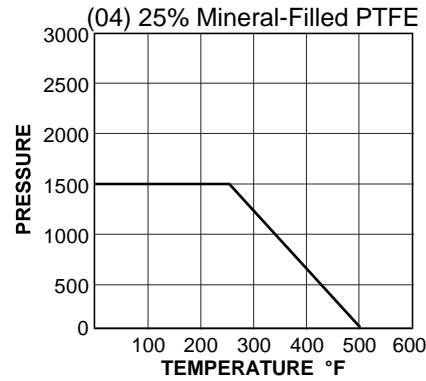
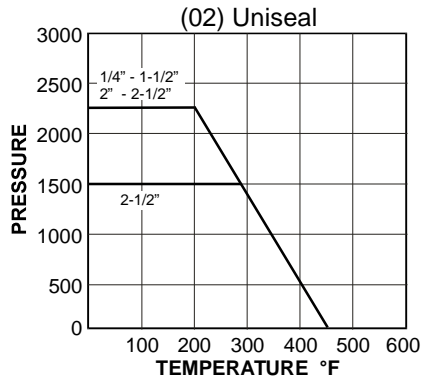
SIZE	A	B	C	D	D*	E	E*	F / F1	J	K	L	M	N	WEIGHT (lbs.)
3/4"	1/2	2-3/16	4-3/8	2-3/4	2	5	3-3/4	1-1/8	.307/.304	.192/.190	1-1/16	1-9/32	1-5/8	2.1
1"	3/4	2-1/8	4-1/4	3-7/8	2-3/8	5-7/8	5-9/16	1-3/8	.370/.367	.252/.250	1-27/64	1-11/16	2-1/8	2.5
1-1/4"	1	2-5/8	5-1/4	3-1/8	3-1/16	8-1/4	6-1/16	1-1/8	.495/.492	.313/.310	1-55/64	2-3/32	2-1/8	5.3
1-1/2"	1-1/4	2-5/8	5-1/4	3-3/8	3-5/16	8-1/4	6-1/16	1-1/8	.495/.492	.313/.310	1-55/64	2-3/32	2-7/8	7.7
2"	1-1/2	3-1/8	6-1/4	3-3/8	3-7/8	11	8-1/4	1-1/2	.746/.743	.376/.373	2-15/32	2-3/4	3-5/8	10.75
2-1/2"	2	4-1/4	8-1/2	4-5/8	4-5/8	11	8-1/4	1-1/2	.746/.743	.376/.373	2-15/16	3-25/64	4-1/8	26.00

* with Latch-Lok Option.

C-7380 / S-8380 Full Port Models

SIZE	A	B	C	D	D*	E	E*	F / F1	J	K	L	M	N	WEIGHT (lbs.)
1/4"	1/4	1-1/2	3	2-3/4	2	5	3-3/4	1-1/8	.307/.304	.192/.190	1-1/16	1-9/32	1-5/8	2.0
3/8"	3/8	1-1/2	3	2-3/4	2	5	3-3/4	1-1/8	.307/.304	.192/.190	1-1/16	1-9/32	1-5/8	2.0
1/2"	1/2	2	4	2-3/4	2	5	3-3/4	1-1/8	.307/.304	.192/.190	1-1/16	1-9/32	1-5/8	2.0
3/4"	3/4	2-1/8	4-1/4	3-7/8	2-3/8	5-7/8	5-9/16	1-3/8	.370/.367	.252/.250	1-27/64	1-11/16	2-1/8	2.5
1"	1	2-1/4	4-1/2	3-1/8	3-1/16	8-1/4	6-1/16	1-1/8	.495/.492	.313/.310	1-55/64	2-3/32	2-7/8	5.0
1-1/4"	1-1/4	2-1/2	5	3-3/8	3-5/16	8-1/4	6-1/16	1-1/8	.495/.492	.313/.310	1-55/64	2-3/32	2-7/8	7.5
1-1/2"	1-1/2	2-5/8	5-1/4	3-3/8	3-7/8	11	8-1/4	1-1/2	.746/.743	.376/.373	2-15/32	2-3/4	3-5/8	10.75
2"	2	3-1/8	6-1/4	4-5/8	4-5/8	11	8-1/4	1-1/2	.746/.743	.376/.373	2-15/16	3-25/64	4-1/8	26.00

* with Latch-Lok Option.



Size	CV Rating		Operating Torque Seat Materials Uniseal		Operating Torque Seat Material Nylon	
	Std. Port	Full Port	Std. Port	Full Port	Std. Port	Full Port
1/4", 3/8"	---	6	---	60	---	170
1/2"	---	15	---	60	---	170
3/4"	15	30	60	150	170	200
1"	30	60	150	200	200	320
1-1/4"	50	110	200	250	320	500
1-1/2"	75	130	250	320	500	850
2"	110	360	320	500	850	1200
2-1/2"	200	---	500	---	1200	---

Torque in inch-pounds @ Full Rated Pressure.

MATERIALS of CONSTRUCTION

Index	DESCRIPTION	SERIES C7350 / 7380	SERIES S8350 / 8380
1	HANDLE NUT	Carbon Steel (Plated)	AISI 304 Stainless Steel
2	HANDLE	Carbon Steel Plate	AISI 304 Stainless Steel
3	PACKING NUT	AISI 12L14 Carbon Steel AISI 316 Stainless Steel (SS Option)	AISI 316 Stainless Steel
4	PACKING	Graphite	Graphite
5	BODY	ASTM A216 Gr. WCB	ASTM A351 Gr. CF8M
6	TAILPIECE	AISI 1018 Carbon Steel	AISI 316 Stainless Steel
7	SEAT	Uniseal, Nylon*, Mineral Filled PTFE*, Acetal*	Uniseal, Nylon, Mineral-Filled PTFE, Acetal
8	BALL	Hard Chrome Plated AISI 12L14 AISI 316 Stainless Steel (SS Option)	AISI 316 Stainless Steel
9	THRUST WASHER	PTFE	PTFE
10	BODY SEAL	PTFE	PTFE
11	STEM	AISI 12L14 Carbon Steel **	AISI 316 Stainless Steel **

* Requires 316 Stainless Steel Ball and Stem

** 410 Hardened Stainless Steel with Nylon and Acetal Options (1-1/4" - 2" Reduced Ports, 1" - 2" Full Ports)